

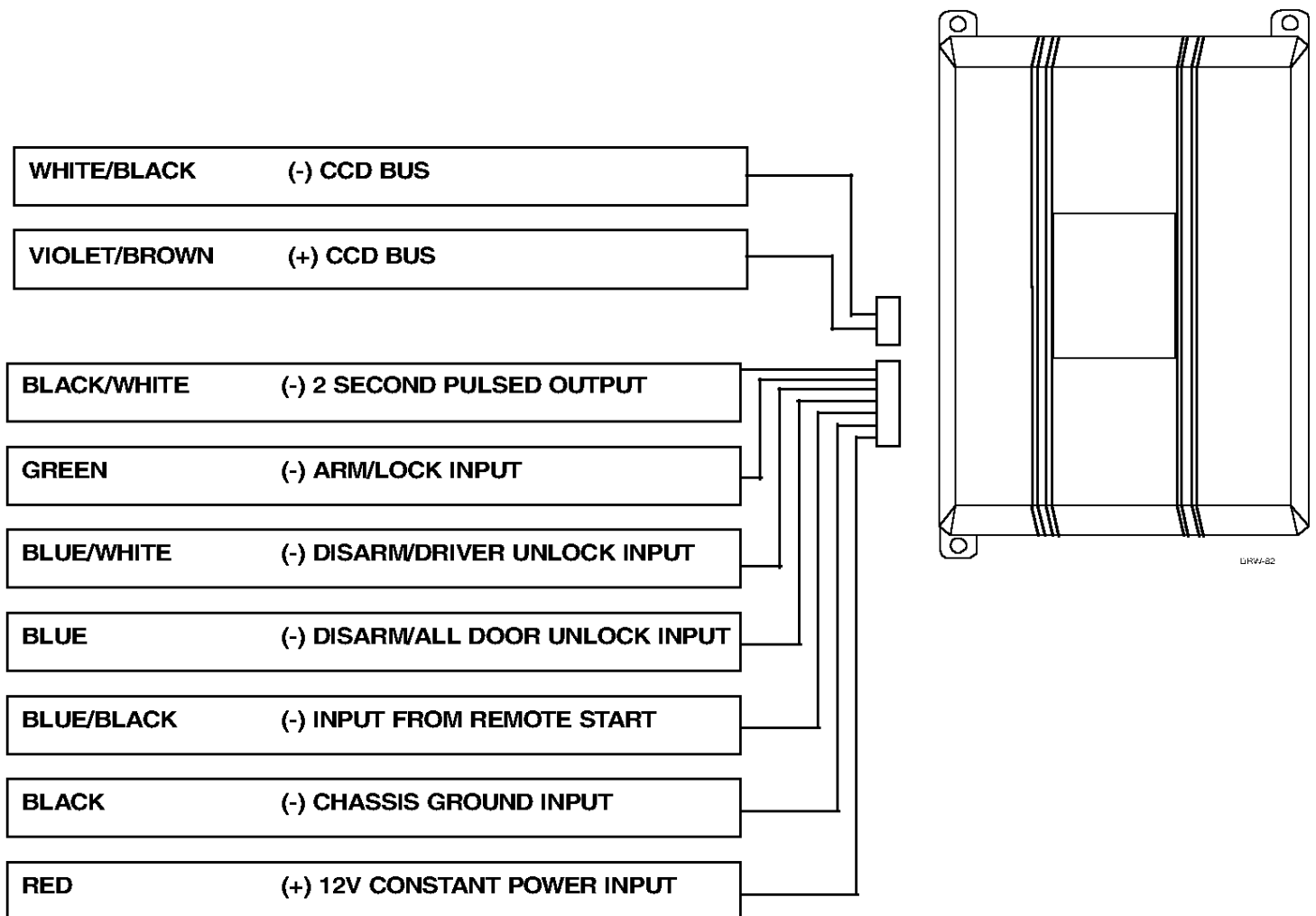
# 455T Grand Cherokee Interface

## IMPORTANT!

Please read this installation manual thoroughly before installing the 455T, and use only a high quality digital multi-meter for testing purposes. This product connects to the vehicle's low voltage signal wires and improper installation or testing can result in damage to the vehicle. Never use a test light or logic probe to test wires in this vehicle!

The 455T Grand Cherokee interface operates many functions of the lock/security system in the 1996 and newer model years of the Jeep Grand Cherokee. The 455T converts the signals from the security system to language used by the CCD (Chrysler Collision Detection) bus. This allows interfacing with the factory security and lock system through the "twisted pair" data wires in the vehicle. The 455T controls door lock operation including lock, unlock, and driver's door only unlock. The 455T also provides full control of the factory security system. The system can be armed and disarmed when locking or unlocking the doors or disarmed when remote starting while leaving the doors locked. The dome light will also illuminate when the unit unlocks the vehicle's doors.

## WIRING DIAGRAM



# WIRE CONNECTION GUIDE

## 7-Pin main harness - connections made to DEI remote system

**RED (+) constant power input:** Connect to a fused source of constant 12V.

**BLACK (-) chassis ground input:** Connect this wire to a paint-free surface on the vehicle chassis. Use a factory bolt if possible.

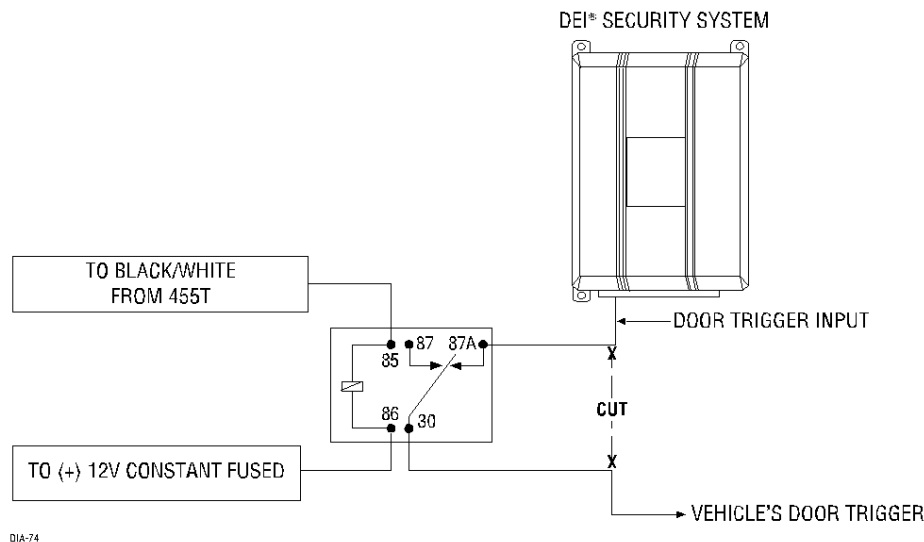
**BLUE/BLACK (-) remote start input:** If installing a remote start product, connect this wire to an output of the remote start which provides a (-) negative output when the remote is active. This will disarm the factory security system when the vehicle is started with the remote start.

**BLUE (-) disarm/all door unlock input:** Connect this wire to the (-) unlock output of the DEI keyless entry or security system. If wiring the system for progressive unlock (DDU), connect this wire to the auxiliary output of the DEI system that is used to unlock ALL doors.

**BLUE/WHITE (-) disarm/driver's unlock input:** If the system is being wired to unlock the driver's door only, connect this wire to the (-) unlock output from the DEI keyless or security system.

**GREEN (-) arm/lock input:** Connect this wire to the (-) lock output from the DEI keyless entry or security system.

**BLACK/WHITE (-) 2 second pulsed output:** This output is activated whenever the BLUE/BLACK wire receives input from the remote start system. It is only necessary to use this wire if a DEI security system is being installed with a remote start. Using a relay as shown in the diagram below, this wire will interrupt the DEI security system's door trigger input for two seconds when the vehicle is remote started. When the Grand Cherokee's factory security system is disarmed the dome light is turned on momentarily. This relay prevents the triggering of the DEI system.



## 2-Pin CCD harness - output to vehicle's CCD bus

**VIOLET/BROWN (+) CCD bus output:** Connect this wire to the violet/brown (+) CCD bus signal wire in the vehicle.

**WHITE/BLACK (-) CCD bus output:** Connect this wire to the white/black (-) CCD bus signal wire in the vehicle.

**IMPORTANT!** The CCD (Chrysler Collision Detection) bus wires are a twisted pair of wires that connect the vehicle's network of control modules and allow communication throughout the vehicle. These wires can be easily found at the diagnostic plug located under the dash in the driver's compartment. These wires carry a low voltage data signal and CANNOT be tested.